



GA/GZ

CHANGEOVER SWITCH

www.fortindo-fsm.com



GA/GZ CHANGEOVER SWITCH



GA/GZ-16A



GA/GZ-16A



GA/GZ-32A



GA/GZ-40A



GA/GZ-63A



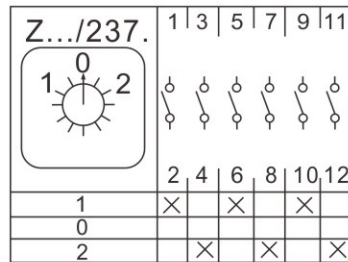
GA/GZ-100A

APPLICATION

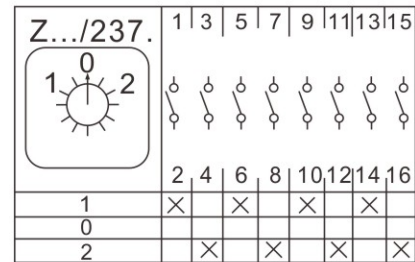
GA/GZ Changeover Switch is used to start, stop, forward or backward directly three-phase asynchronous electric motor with AC 50Hz, voltage 230-690V, AC current up to 100A. It can also be used for changeover from one kind of circuit to another.

SPECIFICATIONS

Type	Heated Current (Ith) A	Rated Insulated Voltage (Ue) V			Rated Voltage (V)	Rated Current (A) AC-21	Rated Current (A) AC-23		Rated Controlled Power (kW)
		690	230	400			8	5	
GA/GZ-16	16	690	230	400	690	16	8	5	3
GA/GZ-25	25	690	230	400	690	25	12	7	5.5
GA/GZ-32	32	690	230	400	690	32	16	9	7.5
GA/GZ-40	40	690	230	400	690	40	22	12	11
GA/GZ-63	63	690	230	400	690	63	40	22	18.5
GA/GZ-100	100	690	230	400	690	100	62	32	30

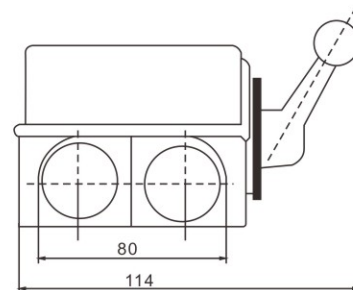
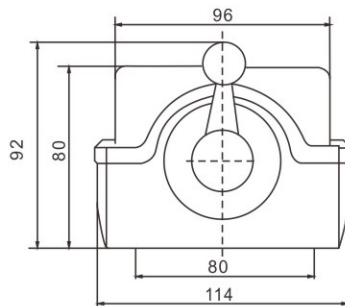


3P



4P

DIMENSIONS



GA/GZ-16A-32A



QS5

CAM STARTER

www.fortindo-fsm.com





APPLICATION

QS5 cam starter is mainly used to start op,forward or backward directly three-phase asynchronous electric motor with AC 50Hz,voltage up to 500V and capacity up to 7.5KW.It can also be used for changeover from one kind of circuit to another.

SPECIFICATIONS

Type	Mark	Rated Current (A)	Rated Control Capacity (HP)	Electrical Life (Times)	Mechanical Life(Times)	Frequency of Operation (per Hr)	Applications	Position of Level						
QS5-15A	I-O	15	5.5	100000	250000	200	ON-OFF Switching	0-60						
QS5-30A		30	10											
QS5-15N	I-O-I	15	5.5				80000	200000	180	Forward& Reverse	60-0-60			
QS5-30N		30	10											
QS5-15P/3	I-O-II	15	5.5				80000	200000	180	For 3 phase 2 wire	60-0-60			
QS5-30P/3		30	10											
QS5-63A	I-O	63	22							80000	200000	180	ON-OFF Switching	0-60
QS5-100A		100	30											
QS5-63N	I-O-I	63	22	80000	200000	180				Forward& Reverse	60-0-60			
QS5-100N		100	30											
QS5-63P/4	I-O-II	63	22	80000	200000	180				For 3 phase 2 wire	60-0-60			
QS5-100P/4		100	30											