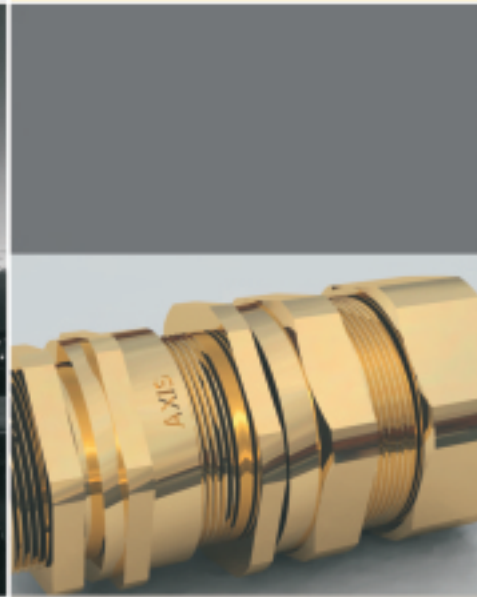




AN ISO 9001 : 2008 COMPANY

CABLE GLANDS



A TOTAL SOLUTION

Introduction	2 - 3
A1/A2 Industrial Cable Gland	4
BW Industrial Cable Gland	5
BWL Heavy Duty Industrial Cable Gland	6
CW Industrial Cable Gland	7
CZ Industrial Cable Gland	8
E1W Industrial Cable Gland	9
E1Z Industrial Cable Gland	10
CXT Industrial Cable Gland	11
Gland Accessories	12
Gland Kits	12
Brass Gland - Selection Chart	13
Wiping Glands	14
Fittings For Wiping Glands	15
Conduit Fittings	16
Ingress Protection Index	17
Entry Thread Options	18

Cable Glands

Cable Glands

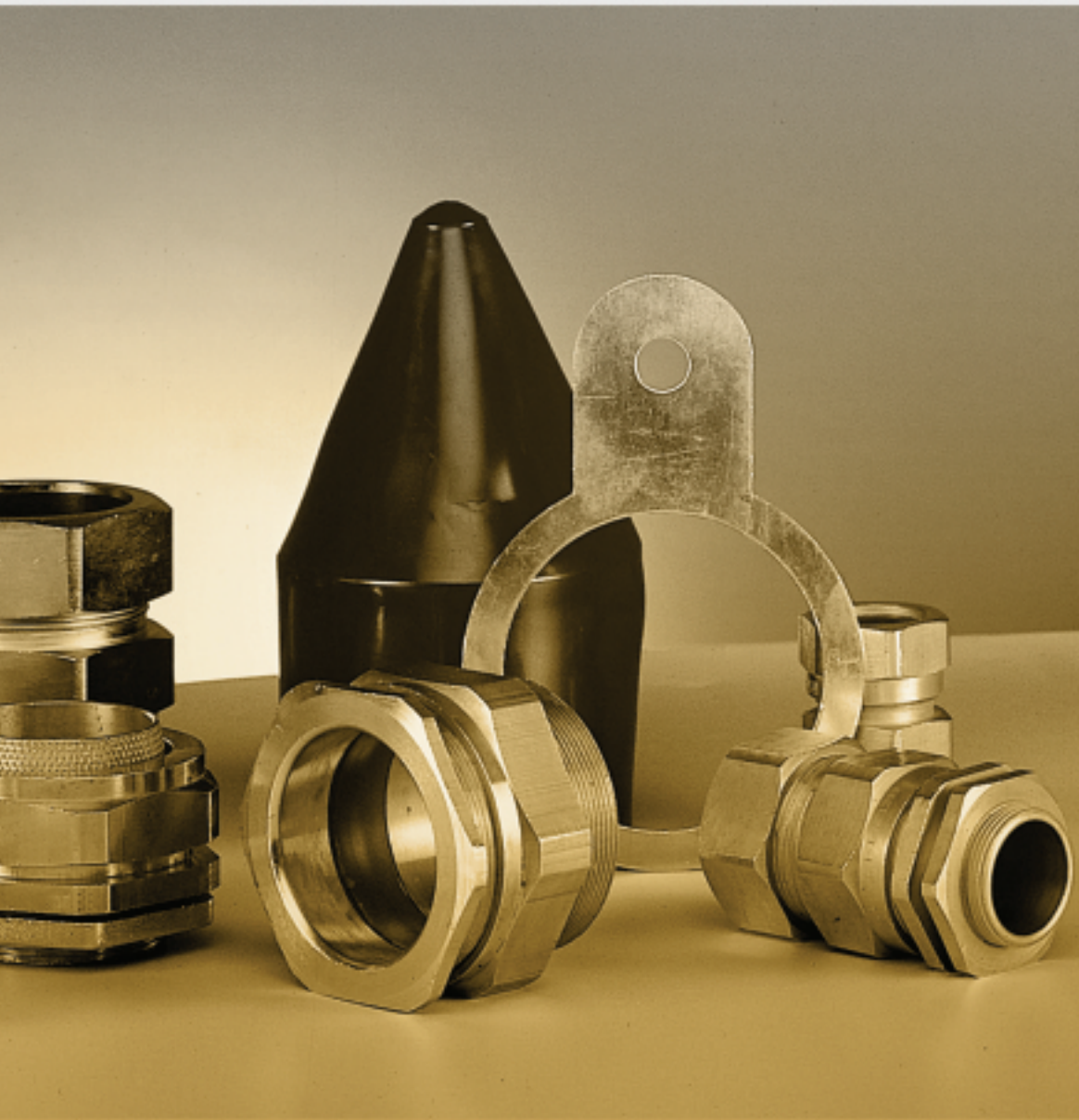


Axis offers a wide range of Industrial Cable Glands for indoor and outdoor use.

The Cable glands meet the performance requirements of **BS 6121 : Part I / BS EN 50262** and are manufactured in brass to **BS 2874** standard.

Entry threads are available in Metric, PG, NPT & Imperial sizes.

Axis, by translating its Technological expertise, Manufacturing Process and Product Application to innovative solutions ensures complete customer satisfaction



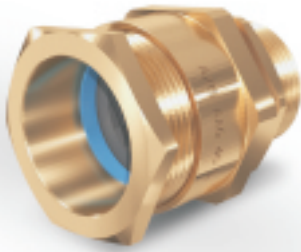
Cable Glands

Axis glands are being used worldwide and are supported by a wide network of distributors and wholesalers. Owing to our good track record of reliable supplies our customer base has spanned major sectors like Industrial, Power and Oil fields, just to name a few.

Axis has been dedicated to provide its customers, solutions, adding value to their business and also develop products as per their specific requirements, from short to large production run.

This catalogue has been compiled and logically structured enabling the original equipment manufacturers, electrical contractors, distributors, wholesalers and retailers to find product information easily and efficiently.

A1/A2 Industrial Cable Gland

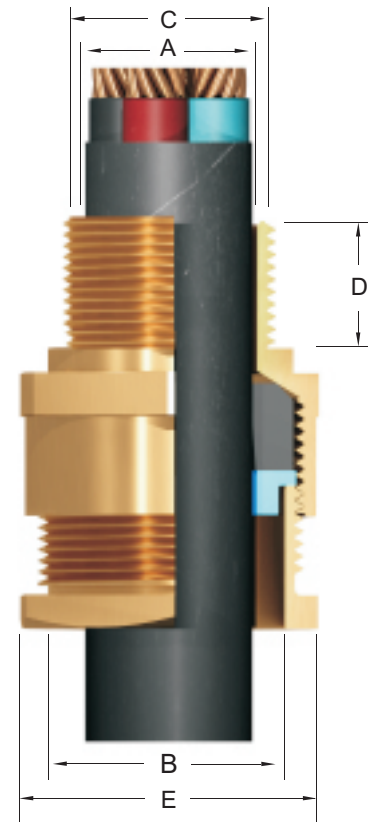


Brass indoor and outdoor cable gland highly suitable for all types of unarmoured cables, plastic or rubber sheathed cables. This gland provides a seal on outer sheath.

Recommended to use PVC shroud for additional ingress protection.

TECHNICAL DATA

Type	A1/A2
Design Specification	BS 6121 : Part I : 1989
Ingress protection	IP66
Gland Material	Brass
Finish	Plain Brass or Nickel Plated
Seal Material	Thermoplastic Elastomer
Cable Type	Unarmoured
Sealing Technique	Displacement Type
Sealing Area	Outer Sheath



Gland Size	CABLE DIMENSIONS ACCOMODATED		GLAND DIMENSIONS					E- CODE
	Overall Diameter		Dia 'A'	Dia 'B'	Metric Entry Thread 'C'	Minimum Thread Length 'D'	Across Flat 'E' Max	
	Min	Max						
16	3.5	8.5	10.0	12.0	16	15	21.30	AAG0016B
20SS	3.5	8.5	10.0	15.4	20	15	23.60	AAG0020SSB
20S	8.0	11.5	11.9	15.4	20	15	23.60	AAG0020SB
20L	11.0	13.5	14.5	17.9	20	15	26.85	AAG0020LB
25S	13.0	16.5	16.5	20.3	25	15	30.50	AAG0025SB
25L	13.0	19.5	20.7	27.4	25	15	35.50	AAG0025LB
32	19.0	25.5	26.9	31.7	32	15	41.30	AAG0032LB
40L	25.0	32.0	32.5	37.1	40	15	47.00	AAG0040LB
50S	31.5	37.0	38.6	44.2	50	15	55.00	AAG0050SB
50L	36.5	43.0	44.0	48.9	50	15	59.95	AAG0050LB
63S	42.5	50.0	50.3	56.1	63	15	64.75	AAG0063SB
63L	49.5	55.0	56.4	60.2	63	15	69.85	AAG0063LB
75S	54.5	61.0	62.2	62.2	75	15	78.75	AAG0075SB
75L	60.5	67.0	68.3	73.1	75	15	84.60	AAG0075LB
90	65.0	78.0	80.3	80.3	90	20	102.60	AAG0090LB
100	75.0	88.0	90.0	91.6	100	25	119.10	AAG0100LB

Dimensions in Millimeters

BW Industrial Cable Gland

Brass indoor glands most suitable for single wire armoured, plastic or rubber sheathed cable.

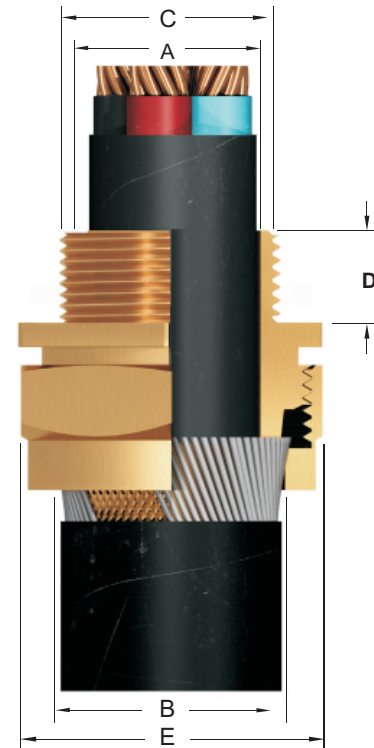
Earth tags to be use for earth continuity.

Recommended to use with shroud for additional ingress protection.



TECHNICAL DATA

Type	BW KNURLING TYPE
Design Specification	BS 6121 : Part I : 1989
Ingress Protection	IP3X
Gland Material	Brass
Finish	Plain Brass or Nickel Plated
Cable Type	Steel Wire Armour
Armour Clamping	Two Part Armour Lock



Gland Size	CABLE DIMENSIONS ACCOMODATED			GLAND DIMENSIONS					E- CODE
	Under Armour Dia Max.	Overall Dia Max.	Armour Wire Dia	Dia 'A'	Dia 'B'	Metric Entry Thread 'C'	Minimum Thread Length 'D'	Across Flat 'E' Max	
16	9.5	16.0	0.9/1.25	10.2	15.9	16	10	21.00	ABW0016LB
20S	11.7	16.0	0.9/1.25	12.5	15.9	20	10	21.00	ABW0020SB
20	13.9	21.0	0.9/1.25	14.1	18.1	20	10	23.40	ABW0020LB
25	19.9	27.0	1.25/1.60	20.6	26.1	25	10	33.50	ABW0025LB
32	26.0	34.0	1.60/2.0	26.9	34.3	32	10	40.10	ABW0032LB
40	31.0	40.9	1.60/2.0	32.5	40.9	40	15	50.30	ABW0040LB
50S	38.1	50.5	2.0/2.5	38.5	47.0	50	15	56.65	ABW0050SB
50	44.0	53.0	2.0/2.5	44.5	52.8	50	15	62.70	ABW0050LB
63	55.9	68.0	2.5	56.4	65.4	63	15	76.20	ABW0063LB
75	67.9	82.9	2.5	68.3	77.7	75	15	92.70	ABW0075LB

Dimensions in Millimeters

BWL Heavy Duty Industrial Cable Gland

Brass indoor glands most suitable for single wire armoured, plastic or rubber sheathed cable. Lockring provided for additional grip to the armour.



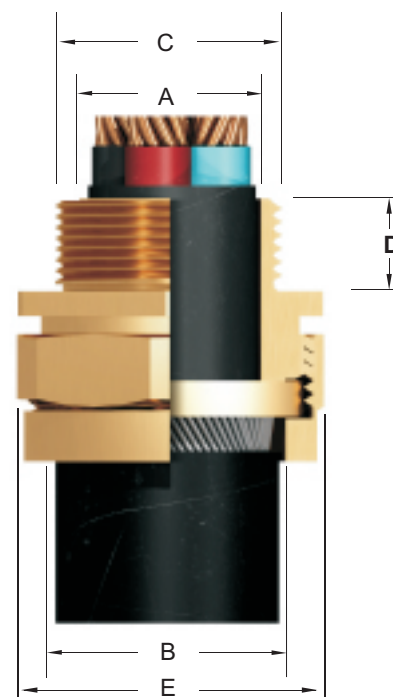
Earth tags to be used for earth continuity.

BWL glands are also supplied with integral earth facilities.

Recommended to use with shroud for additional ingress protection.

TECHNICAL DATA

Type	BWL
Design Specification	BS 6121 : Part I : 1989
Ingress Protection	IP3X
Gland Material	Brass
Finish	Plain Brass or Nickel Plated
Cable Type	Steel Wire Armour
Armour Clamping	Three Part Armour Lock



Gland Size	CABLE DIMENSIONS ACCOMODATED			GLAND DIMENSIONS					E- CODE
	Under Armour Dia Max	Overall Dia Max	Armour Wire	Dia 'A'	Dia 'B'	Metric Entry Thread 'C'	Minimum Thread Length 'D'	Across Flat 'E' Max	
16	9.5	13.0	0.9	10.2	14.5	16	10	21.30	BWL0016B
20S	11.7	16.0	0.9/1.25	13.0	16.9	20	10	23.60	BWL0020SB
20L	13.9	20.0	0.9/1.25	14.3	21.0	20	10	25.40	BWL0020LB
25S	17.8	23.8	1.25/1.60	18.4	24.5	25	10	31.10	BWL0025SB
25L	19.9	27.2	1.25/1.60	20.8	28.1	25	10	34.00	BWL0025LB
32	26.2	33.5	1.60/2.0	26.7	33.7	32	10	40.40	BWL0032LB
40S	29.4	36.0	1.60/2.0	30.5	37.6	40	15	44.90	BWL0040SB
40L	32.1	39.9	1.60/2.0	32.7	41.1	40	15	48.70	BWL0040LB
50S	38.1	46.3	2.0/2.5	40.6	48.6	50	15	57.40	BWL0050SB
50L	43.5	52.6	2.0/2.5	44.4	53.8	50	15	61.00	BWL0050LB
63S	50.0	59.0	2.5	51.3	60.7	63	15	70.10	BWL0063SB
63L	54.5	64.0	2.5	56.3	65.5	63	15	74.80	BWL0063LB
75S	61.0	71.0	2.5	62.2	72.4	75	15	84.30	BWL0075SB
75L	67.0	77.0	2.5	68.2	78.4	75	15	90.10	BWL0075LB
90	79.3	90.4	2.5	80.0	91.5	90	15	105.30	BWL0090B

Dimensions in Millimeters

CW Industrial Cable Gland



Brass indoor and outdoor gland most popularly used with single wire armoured, plastic or rubber sheathed cable. Terminates and secured cable armouring and outer seal grips sheath of cable thus ensuring mechanical strength and earth continuity.

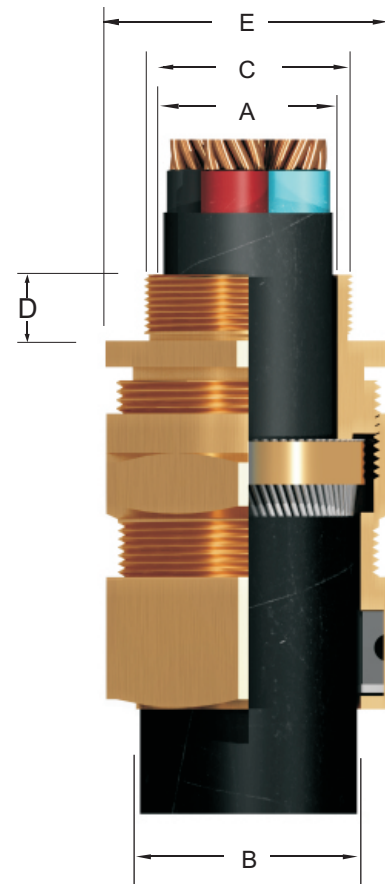
Earth tags to be use for earth continuity.

CW brass glands are also supplied with integral earth facilities.

Recommended to use PVC shroud for additional ingress protection.

TECHNICAL DATA

Type	CW
Design Specification	BS 6121 : Part I : 1989
Ingress Protection	IP 66
Gland Material	Brass
Finish	Plain Brass or Nickel Plated
Seal Material	Thermoplastic Elastomer
Cable Type	Steel Wire Armour
Armour Clamping	Three Part (With Lock Nut)
Sealing Technique	Compression Type
Sealing Area	Outer Sheath



Gland Size	CABLE DIMENSIONS ACCOMODATED			GLAND DIMENSIONS					E- CODE
	Under Armour Dia Max	Overall Dia Max	Armour Wire Dia	Dia 'A'	Dia 'B'	Metric Entry Thread 'C'	Minimum Thread Length 'D'	Across Flat 'E' Max	
16	6.0	13.2	0.9	9.5	16.9	16	10	24.20	CWG0016B
20S	11.6	15.8	0.9/1.25	12.3	17.0	20	10	24.00	CWG0020SB
20L	13.9	19.5	0.9/1.25	14.3	20.3	20	10	27.17	CWG0020LB
25S	15.5	25.8	0.9/1.25	18.3	26.4	25	10	32.75	CWG0025SB
25L	19.9	26.0	0.9/1.25	20.8	26.9	25	10	34.30	CWG0025LB
32	25.2	33.5	1.60/2.0	26.9	34.1	32	10	42.90	CWG0032LB
40S	29.4	38.5	1.60/2.0	31.5	39.6	40	15	49.30	CWG0040SB
40L	32.1	39.9	1.60/2.0	32.5	41.8	40	15	50.80	CWG0040LB
50S	39.5	49.0	2.0/2.25	40.9	50.2	50	15	61.70	CWG0050SB
50L	43.2	51.0	2.0/2.25	44.4	52.8	50	15	63.75	CWG0050LB
63S	50.6	58.9	2.5	51.8	61.9	63	15	73.90	CWG0063SB
63L	55.9	65.3	2.5	56.4	66.5	63	15	78.50	CWG0063LB
75S	61.9	71.6	2.5	63.2	74.2	75	20	87.40	CWG0075SB
75L	67.9	78.0	2.5	68.6	78.5	75	20	96.00	CWG0075LB
90	74.0	88.0	2.5	79.0	90.2	85	20	105.30	CWG0090LB

Dimensions in Millimeters

CZ Industrial Cable Gland



Brass gland suitable for steel tape armoured, plastic or rubber sheathed cables. Terminates and secure cable armouring and outer seal grips sheath of cable thus ensuring mechanical strength and earth continuity.



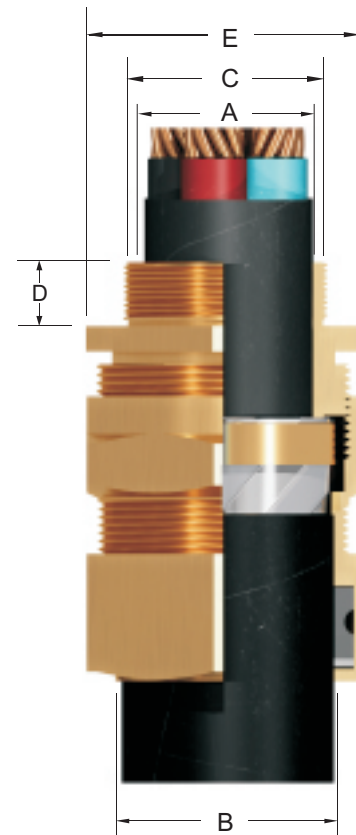
CZ brass glands are also supplied with integral earth facilities.

Earth tags to be use for earth continuity.

Recommended to use PVC shroud for additional ingress protection.

TECHNICAL DATA

Type	CZ
Design Specification	BS 6121 : Part 1 : 1989
Ingress protection	IP 66
Gland Material	Brass
Finish	Plain Brass or Nickel Plated
Seal Material	Thermoplastic Elastomer
Cable Type	Steel Tape Armour
Armour Clamping	Three Part (With Lock Nut)
Sealing Technique	Compression Type
Sealing Area	Outer Sheath



Gland Size	CABLE DIMENSIONS ACCOMODATED			GLAND DIMENSIONS					E- CODE
	Under Armour Dia Max	Overall Dia Max	Steel Tape Thickness	Dia 'A'	Dia 'B'	Metric Entry Thread 'C'	Minimum Thread Length 'D'	Across Flat 'E' Max	
16	6.0	13.2	0.15/0.35	9.5	16.9	16	10	24.20	CZG0016B
20S	11.6	15.8	0.15/0.35	12.3	17.0	20	10	24.00	CZG0020SB
20L	13.9	19.5	0.15/0.5	14.3	20.3	20	10	27.17	CZG0020LB
25S	15.5	25.8	0.15/0.5	18.3	26.4	25	10	32.75	CZG0025SB
25L	19.9	26.0	0.15/0.5	20.8	26.9	25	10	34.30	CZG0025LB
32	25.2	33.5	0.15/0.55	26.9	34.1	32	10	42.90	CZG0032B
40S	29.4	38.5	0.2/0.6	31.5	39.6	40	15	49.30	CZG0040SB
40L	32.1	39.9	0.2/0.6	32.5	41.8	40	15	50.80	CZG0040LB
50S	39.5	49.0	0.5/0.8	40.9	50.2	50	15	61.70	CZG0050SB
50L	43.2	51.0	0.5/0.8	44.4	52.8	50	15	63.75	CZG0050LB
63S	50.6	58.9	0.5/0.8	51.8	61.9	63	15	73.90	CZG0063SB
63L	55.9	65.3	0.5/0.8	56.4	66.5	63	15	78.50	CZG0063LB
75S	61.9	71.6	0.5/1.0	63.2	74.2	75	20	87.40	CZG0075SB
75L	67.9	78.0	0.5/1.0	68.6	78.5	75	20	96.00	CZG0075LB
90	74.0	88.0	0.5/1.0	79.0	90.2	85	20	105.30	CZG0090B

Dimensions in Millimeters

E1W Industrial Cable Gland



Brass indoor and outdoor cable glands highly suitable for single wire armoured, plastic or rubber sheathed cables. Provides grip to the cable with outer and inner seals. Used popularly in most climatic conditions weatherproof and waterproof.

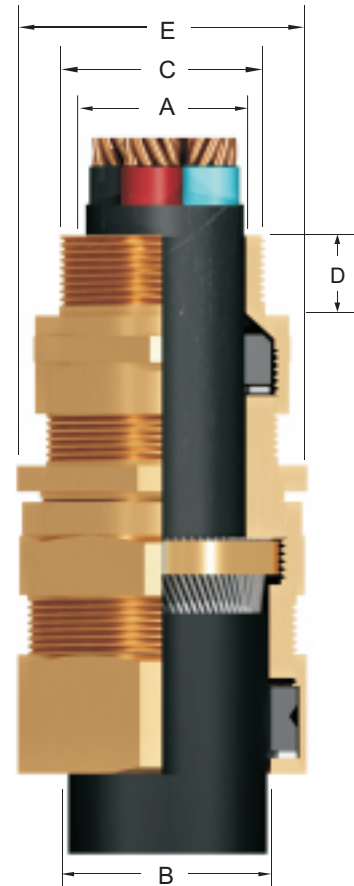
Earth tags to be use for earth continuity.

E1W brass glands are also supplied with integral earth facilities.

Recommended to use PVC shroud for additional ingress protection.

TECHNICAL DATA

Type	E1W
Design Specification	BS 6121 : Part I : 1989
Ingress Protection	IP 66
Gland Material	Brass
Finish	Plain Brass or Nickel Plated
Seal Material	Thermoplastic Elastomer
Cable Type	Steel Wire Armour
Armour Clamping	Three Part Armour Lock
Sealing Technique	Compression & Displacement Type
Sealing Area (s)	Inner & Outer Sheath



Gland Size	CABLE DIMENSIONS ACCOMODATED					GLAND DIMENSIONS					E- CODE
	Under Armour Dia		Overall Dia		Armour Wire Dia	Dia 'A'	Dia 'B'	Metric Entry Thread 'C'	Minimum Thread Length 'D'	Across Flat 'E' Max	
	Min	Max	Min	Max							
16	6.3	8.6	8.0	13.2	0.9	9.5	16.9	16	15	24.10	E1W0016B
20S	7.8	11.6	8.8	15.8	0.9/1.25	11.9	17.0	20	15	24.10	E1W0020SB
20L	11.8	13.9	11.7	19.5	0.9/1.25	14.5	20.3	20	15	27.17	E1W0020LB
25S	13.0	15.5	17.0	25.8	1.25/1.60	16.5	26.4	25	15	32.75	E1W0025SB
25L	14.0	19.9	17.0	26.0	1.25/1.60	20.7	27.4	25	15	35.85	E1W0025LB
32	19.7	25.2	23.5	33.5	1.60/2.0	26.9	34.1	32	15	42.90	E1W0032LB
40S	26.5	29.4	29.0	38.5	1.60/2.0	29.6	39.6	40	15	49.30	E1W0040SB
40L	32.1	32.1	39.9	39.9	1.60/2.0	32.5	41.8	40	15	50.80	E1W0040LB
50S	32.2	38.1	38.0	46.0	2.0/2.5	38.6	50.2	50	15	61.70	E1W0050SB
50L	38.4	43.2	39.5	51.0	2.0/2.5	44.0	52.8	50	15	63.75	E1W0050LB
63S	44.1	50.0	50.0	58.9	2.5	50.3	61.9	63	15	73.90	E1W0063SB
63L	50.1	55.9	51.3	65.3	2.5	56.4	66.5	63	15	78.50	E1W0063LB
75S	56.0	61.9	62.0	71.6	2.5	62.2	74.2	75	15	87.40	E1W0075SB
75L	62.0	67.9	62.5	78.0	2.5	68.3	78.5	75	15	96.00	E1W0075LB
90	68.0	74.0	68.0	88.0	2.5	80.3	90.2	90	20	105.30	E1W0090B

Dimensions in Millimeters

E1Z Industrial Cable Gland



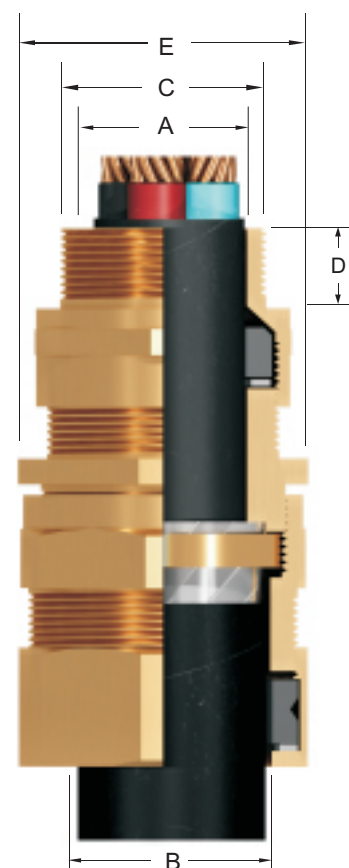
Brass indoor and outdoor cable glands suitable for steel tape armoured, plastic or rubber sheathed cable. Provides grip to the cable with outer and inner seals. Used in most climatic conditions weatherproof and waterproof. Earth tags to be used for earth continuity.

E1Z brass glands are also supplied with integral earth facilities.

Recommended to use PVC shroud for additional ingress protection.

TECHNICAL DATA

Type	E1Z
Design Specification	BS 6121 : Part 1 : 1989
Ingress protection	IP 66
Gland Material	Brass
Finish	Plain Brass or Nickel Plated
Seal Material	Thermoplastic Elastomer
Cable Type	Steel Tape Armour
Armour Clamping	Three Part Armour Lock
Sealing Technique	Compression & Displacement Type
Sealing Area (s)	Inner & Outer Sheath



Gland Size	CABLE DIMENSIONS ACCOMODATED					GLAND DIMENSIONS					E- CODE
	Under Armour Dia		Overall Dia		Steel Tape Thickness	Dia 'A'	Dia 'B'	Metric Entry Thread 'C'	Minimum Thread Length 'D'	Across Flat 'E' Max	
	Min	Max	Min	Max							
16	6.3	8.6	8.0	13.2	0.15/0.35	11.9	17.0	16	15	24.10	E1Z0016B
20S	7.8	11.6	8.8	15.8	0.15/0.35	11.9	17.0	20	15	24.10	E1Z0020SB
20L	11.8	13.9	11.7	19.5	0.15/0.5	14.5	20.3	20	15	27.17	E1Z0020LB
25S	13.0	15.5	17.0	25.8	0.15/0.5	16.5	26.4	25	15	32.75	E1Z0025SB
25L	14.0	19.9	17.0	26.0	0.15/0.5	20.7	27.4	25	15	35.85	E1Z0025LB
32	19.7	25.2	23.5	33.5	0.15/0.55	26.9	34.1	32	15	42.90	E1Z0032B
40S	26.5	29.4	29.0	38.5	0.2/0.6	29.6	39.6	40	15	49.30	E1Z0040SB
40L	32.1	32.1	39.9	39.9	0.2/0.6	32.5	41.8	40	15	50.80	E1Z0040LB
50S	32.2	38.1	38.0	46.0	0.5/0.8	38.6	50.2	50	15	61.70	E1Z0050SB
50L	38.4	43.2	39.5	51.0	0.5/0.8	44.0	52.8	50	15	63.75	E1Z0050LB
63S	44.1	50.0	50.0	58.9	0.5/0.8	50.3	61.9	63	15	73.90	E1Z0063SB
63L	50.1	55.9	51.3	65.3	0.5/0.8	56.4	66.5	63	15	78.50	E1Z0063LB
75S	56.0	61.9	62.0	71.6	0.5/1.0	62.2	74.2	75	15	87.40	E1Z0075SB
75L	62.0	67.9	62.5	78.0	0.5/1.0	68.3	78.5	75	15	96.00	E1Z0075LB
90	68.0	74.0	68.0	88.0	0.5/1.0	80.3	90.2	90	20	105.30	E1Z0090B

Dimensions in Millimeters

CXT Industrial Cable Gland

Brass indoor and outdoor cable gland suitable for braided armoured type, plastic or rubber sheathed cables.

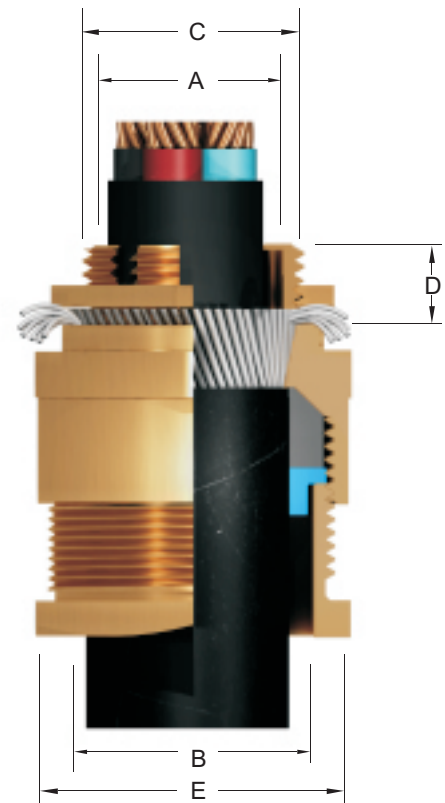
This gland provides seal on outer sheath.

Recommended to use with PVC shroud for additional ingress protection.



TECHNICAL DATA

Type	CXT
Design Specification	BS 6121 : Part 1 : 1989
Ingress protection	IP 66
Gland Material	Brass
Finish	Plain Brass or Nickel Plated
Seal Material	Thermoplastic Elastomer
Cable Type	Braided Armoured Type
Sealing Technique	Displacement Type
Sealing Area	Outer Sheath



Gland Size	CABLE DIMENSIONS ACCOMODATED		GLAND DIMENSIONS					E- CODE
	Overall Diameter		Dia 'A'	Dia 'B'	Metric Entry Thread 'C'	Minimum Thread Length 'D'	Across Flat 'E' Max	
	Min	Max						
16	3.5	8.5	11.9	12.0	16	15	21.3	CXT0016B
20SS	3.5	8.5	10.2	15.4	20	15	23.6	CXT0020SSB
20S	8.0	11.5	11.9	15.4	20	15	23.6	CXT0020SB
20L	11.0	13.5	14.5	17.9	20	15	26.85	CXT0020B
25S	13.0	16.5	16.5	20.3	25	15	30.5	CXT0025LB
32	19.0	25.5	26.9	31.7	32	15	41.3	CXT0032LB
40L	25.0	32.0	32.5	37.1	40	15	47	CXT0040LB
50S	31.5	37.0	38.6	44.2	50	15	55	CXT0050SB
50L	36.5	43.0	44.0	48.9	50	15	59.95	CXT0050LB

Dimensions in Millimeters

GLAND ACCESSORIES

LOCKNUTS



Locknuts are recommended to use with cable glands to secure it to a gland plate or to equipment.

It is highly recommended to use brass locknut with gland for all the atmospheric conditions.

Sizes available from 16mm to 90mm
(Imperial and PG sizes also available)



EARTH TAGS

Earth tags are installed between the cable gland and equipment to provide earth continuity as specified in BS 6121 Part 5, 1993

Sizes available from 16mm to 90mm



PVC SHROUD

The shroud are recommended to use with all cable glands to provide additional ingress protection and to minimize the risk of dirt or any foreign substance gathering around gland body.

PVC Shrouds are denoted by gland reference number and are compatible with each glands size.



GLAND KIT

Axis provides ready to use gland kit which consists of all the basic components required to terminate the cable to the equipments.

See kit details below.

Kit Details

Size	Component / Kit
20 - 25	Glands, Locknuts, Earthtags, PVC Shrouds and Screws - 2 Ea.
32 - 90	Gland, Locknut, Earthtag, PVC Shroud and Screw - 1 Ea.

Note: For A1/A2 Glands Earth Tag not required.

BRASS GLAND - SECTION CHART

600 / 1000v stranded copper conductors pvc insulated with steel wire armour and PVC sheathed overall. Cable to BS 6346 : 1997

Cable Size Conductor		Numbers of Cores													
Nom. Area (mm ²)	Neutral	1	2	3	31/2	4	5	7	10	12	19	27	37	48	
1.5	-	-	16	16	-	20S	20S	20S	20	20	25	25	32	32	
2.5	-	-	20S	20S	-	20S	20S	20	25	25	25	32	32	40	
4	-	-	20S	20	-	20	20	25	25	25	32	40	-	-	
6	-	-	20	20	-	20	-	-	-	-	-	-	-	-	
10	-	-	25	25	-	25	-	-	-	-	-	-	-	-	
16	-	-	25	25	-	25	-	-	-	-	-	-	-	-	
25	16	-	25	32	32	32	-	-	-	-	-	-	-	-	
35	16	-	32	32	32	40	-	-	-	-	-	-	-	-	
50	25	25	32	32	32	40	-	-	-	-	-	-	-	-	
70	35	25	32	40	40	40	-	-	-	-	-	-	-	-	
95	50	25	40	40	50S	50S	-	-	-	-	-	-	-	-	
120	70	32	40	50S	50	50	-	-	-	-	-	-	-	-	
150	70	32	50S	50	50	63S	-	-	-	-	-	-	-	-	
185	95	32	50	50	63S	63	-	-	-	-	-	-	-	-	
240	120	40	50	63S	63	75S	-	-	-	-	-	-	-	-	
300	150	40	63S	63	75S	75	-	-	-	-	-	-	-	-	
300	185	40	63	63	75	75	-	-	-	-	-	-	-	-	
400	185	50S	63	75S	75	75	-	-	-	-	-	-	-	-	
500	-	50	-	-	-	-	-	-	-	-	-	-	-	-	
630	-	50	-	-	-	-	-	-	-	-	-	-	-	-	
800	-	63S	-	-	-	-	-	-	-	-	-	-	-	-	
1000	-	63	-	-	-	-	-	-	-	-	-	-	-	-	

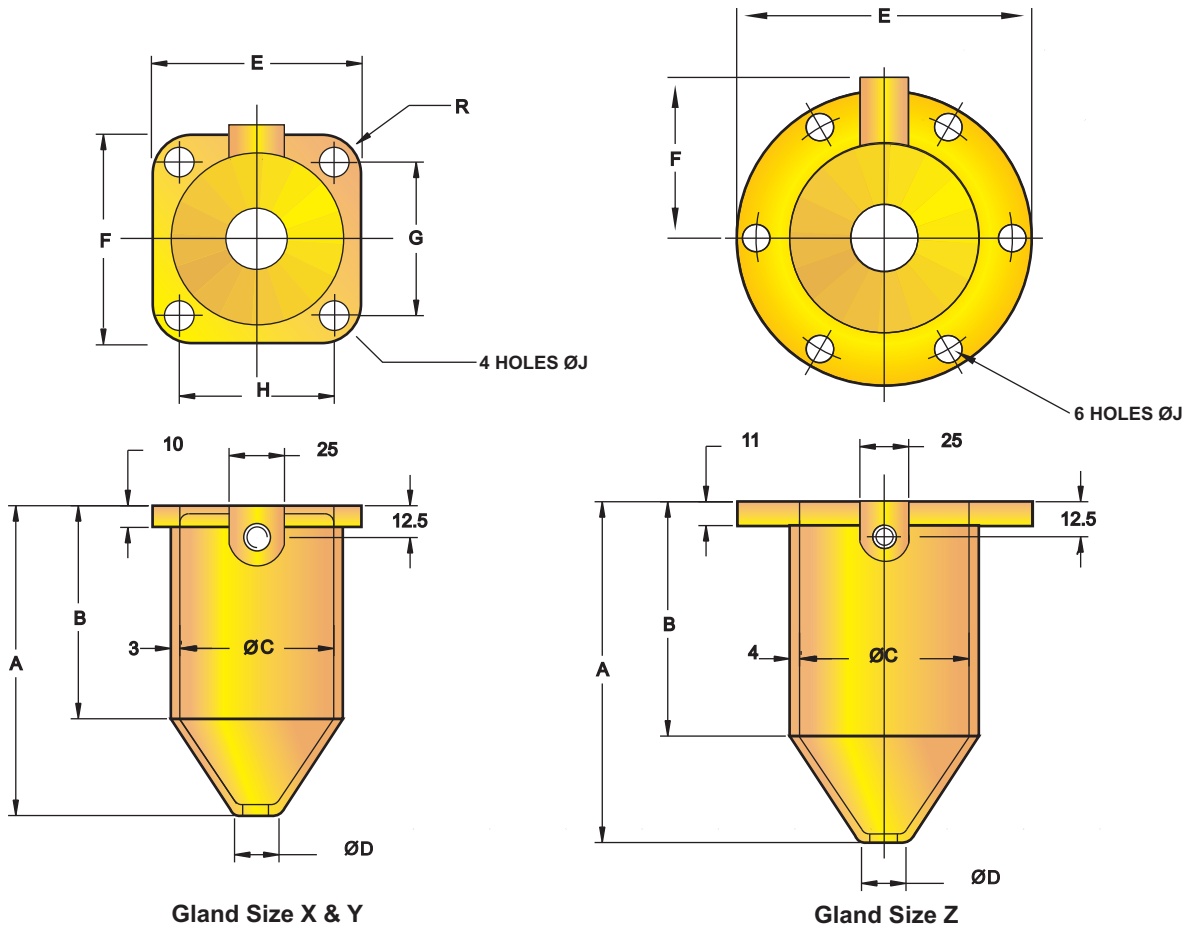
600 / 1000v stranded copper conductors xlpe/swa/pvc cable and PVC sheathed overall. Cable to BS 5467 : 1989

Cable Size Conductor		Numbers of Cores													
Nom. Area (mm ²)	Neutral	1	2	3	31/2	4	5	7	10	12	19	27	37	48	
1.5	-	-	20S	20S	-	20S	20S	20S	20	25	25	32	32	32	
2.5	-	-	20S	20S	-	20S	20S	20	25	25	32	32	40	40	
4	-	-	20S	20S	-	20	20	25	25	25	32	40	40	50S	
6	-	-	20	20	-	20	-	-	-	-	-	-	-	-	
10	-	-	20	25	-	25	-	-	-	-	-	-	-	-	
16	-	-	25	25	-	25	-	-	-	-	-	-	-	-	
25	16	-	25	32	32	32	-	-	-	-	-	-	-	-	
35	16	-	32	32	32	32	-	-	-	-	-	-	-	-	
50	25	25	25	32	32	32	-	-	-	-	-	-	-	-	
70	35	25	32	32	40	40	-	-	-	-	-	-	-	-	
95	50	25	32	40	50S	50S	-	-	-	-	-	-	-	-	
120	70	32	40	40	50	50	-	-	-	-	-	-	-	-	
150	70	32	40	50S	50	50	-	-	-	-	-	-	-	-	
185	95	32	50S	50	63S	63S	-	-	-	-	-	-	-	-	
240	120	40	50	63S	63	63	-	-	-	-	-	-	-	-	
300	150	40	63S	63	75S	75S	-	-	-	-	-	-	-	-	
300	185	40	63S	63	75S	75	-	-	-	-	-	-	-	-	
400	185	50S	63S	75S	75	75	-	-	-	-	-	-	-	-	
500	-	50	-	-	-	-	-	-	-	-	-	-	-	-	
630	-	50	-	-	-	-	-	-	-	-	-	-	-	-	
800	-	63S	-	-	-	-	-	-	-	-	-	-	-	-	
1000	-	63	-	-	-	-	-	-	-	-	-	-	-	-	

WIPING GLAND

Material : Brass

Finish : Natural

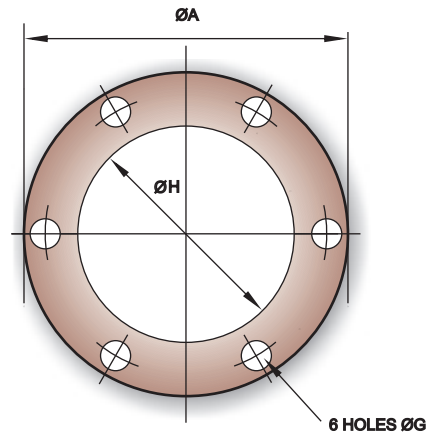
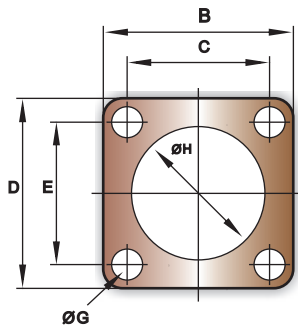


Gland Size	Dia over metal sheath of cable (mm)	Dimention in mm										E - Code
		A	B	ØC	ØD	E	F	G	H	Ø	R	
X	12 to 51	137	90	60	19	90	90	66	66	12	12	AWGX
Y	25 to 78	155	95	89	32	114	123	95	86	14	14	AWGY
Z	25 to 94	195	140	108	32	190	100	-	-	14	-	AWGZ

FITTINGS FOR WIPING GLANDS

Insulating Plates

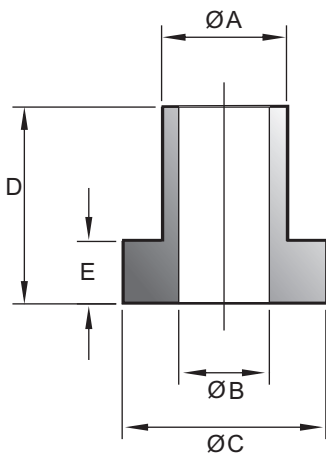
Material : Thermoplastic Elastomer or Cork



Insulating Plate	Dimension in mm							E - Code
	A	B	C	D	E	G	H	
PX	-	90	66	90	66	14	60	APX50002
PY	-	114	86	123	95	16	90	APY50001
PZ	190	-	-	-	-	16	108	APZ50003

Insulating Bush

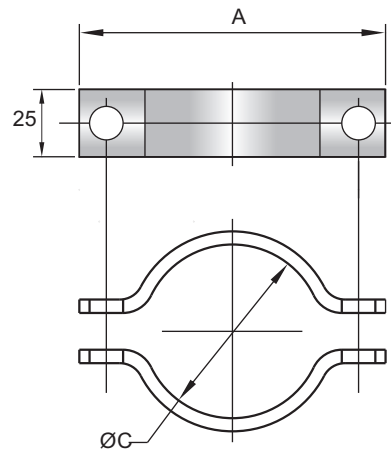
Material : Neoprene



Armour Clamp

Material : M.S Strip

Finish : Electro Zinc Plated



Insulating Bush	Dimension in mm				
	A	B	C	D	E
A	15	11.2	22	28	10
B	18	14	28	28	10

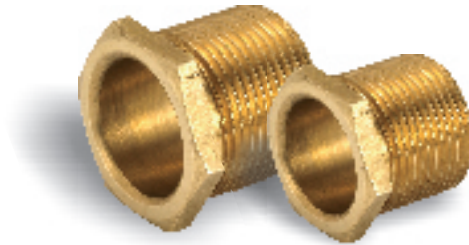
Gland Size	Dimension in mm			E - Code
	A	B	C	
X	140	108	73	AACX
Y	175	145	103	AACY
Z	190	160	123	AACZ

Gland Size	Insulating Plate	Insulating Bush
X	PX	A
Y	PY	B
Z	PZ	B

CONDUIT FITTINGS

Male - Female Bushes

Material: Brass as per BS 2874
 Finish: Brass as natural.
 Sizes: Metric : 20mm to 50mm
 (Short and Long patterns)



Adaptors

Material: Brass as per BS 2874
 Finish: Brass as natural or Nickel plated.
 Sizes: Metric : 12mm to 50mm
 Imperial: 1/2" to 2"
 Also available with swivel type fittings.



Flexible Conduit PVC Coated

As per BS 731

Material: G. I. Strip
 Coating: Temperature resistant PVC
 IP Rating: IP 65 or IP 50 with standard fittings
 Working Temperatures : Min : -20° C Max : +70° C
 Colour: Black
 Sizes: Metric : 12mm to 50mm
 Imperial : 1/2" to 2"

Flexible Conduit Nylon Coated

As per BS 731

Material: G. I. Strip
 Coating: Nylon
 IP Rating: IP 65 or IP 50 with standard fittings
 Working Temperatures : Min : -30° C Max : +110° C
 Colour: Black
 Sizes: Metric : 12mm to 50mm
 Imperial : 1/2" to 2"

INGRESS PROTECTION INDEX

IP	
X	No Test
0	No Protection

IP	
X	No Test
0	No Protection

1st Digit :	Protection Against Solids.	
1	$\varnothing 50\text{mm}$	Protected against solid objects larger than 50 mm diameter
2	$\varnothing 12.5\text{mm}$	Protected against solid objects larger than 12.5 mm diameter
3	$\varnothing 2.5\text{mm}$	Protected against solid objects larger than 2.5 mm diameter
4	$\varnothing 1\text{mm}$	Protected against solid objects larger than 1 mm diameter
5		Protected against dust
6		Completely protected against dust (Dust-tight)

2nd Digit :	Protection Against Solids.	
1		Protected against drops of water falling vertically
2		Protected against drops of water falling at up to 15° from the vertical
3		Protected against rain at up to 60° from the vertical
4		Protected against splashing of water from all directions
5		Protected against jets of water from all directions
6		Protected against projections of water from all directions
7	15cm	Protected against the effect of immersion
8		Protected against the effects of submersion

ENTRY THREAD OPTIONS

Cable Gland Size	ISO Metric	NPT	P.G.	PF / BSP	Imperial
16	M16	1/2"	11	-	5/8"
20/16	M20	1/2"	11	1/2"	3/4"
20S	M20	1/2"	13.5	1/2"	3/4"
20	M20	1/2"	16	1/2"	3/4"
25	M25	3/4"	21	3/4"	1"
32	M32	1"	29	1"	1-1/4"
40	M40	1-1/4"	36	1-1/4"	1-1/2"
50S	M50	1-1/2"	36	1-1/2"	2"
50	M50	2"	42	2"	2"
63S	M63	2"	48	2"	2-1/2"
63	M63	2-1/2"	-	2-1/2"	2-1/2"
75S	M75	2-1/2"	-	2-1/2"	3"
75	M75	3"	-	3"	3"
90	M90	3"	-	3"	3-1/2"



